

LeRain Technology Co., Ltd

2026 Q2

Investor Conference

CEO Jerry Gao

2026 . 6 . 24

LeRain

Safe Harbor Notice

- ◆ The information contained in this presentation, including all forward looking statements, is subject to change without notice, whether as a result of new information, future events or otherwise, and the Company undertakes no obligation to update or revise the information contained in this presentation.
- ◆ Investors are cautioned not to place undue reliance on these forward looking statements, which are made as of the date of this presentation, and we assume no obligation to update or revise any forward looking statements.

CONTENTS

- I. About LeRain**
- II. Financial Performance**
- III. Operational Overview**
- IV. Future Outlook**

About LeRain

I. Company Profile

- Company Name : LeRain Technology Co., Ltd (Stock Code : 6921)
- Establishment Date : January 2, 2020
- Capital : NT\$318,369,410
- Listing Date : December 23, 2025 (Innovation Board)
- Core Business : Design, Development, & Sales of High-Speed Interfaces and High-Speed Analog Circuits.

Chairman : Ted Chu

LOTES (3533) - Chairman

LINTES (6715)- Chairman

CEO : Jerry Gao

M.S.,Electrical Engineering,University of Idaho,USA

Intel-Senior IC Design Engineer

II. Major Products

Major Product	Key Application
JYS13008MF	Signal-enhancing multiplexer IC enabling gaming motherboards and AI PCs to support high-speed PCIe 5.0
JYS13004PE	Linear signal equalizer IC enabling servers, workstations, and industrial computer motherboards to upgrade and support high-speed PCIe 5.0
JYS13002UE	Signal enhancement IC for USB4.0/DP2.1, extending cable transmission length to over 2 meters
JYS13016PP	Signal enhancement IC supporting 16 lanes simultaneously, enabling server motherboards to upgrade to high-speed PCIe 5.0
JYS15002CE	Linear signal equalizer IC enabling gaming consoles and laptops to support high-speed USB4 v2 / DP2.1 interfaces
JYS1702PG	PCIe 6.0 linear signal equalization chips for servers, workstations, PCs, and Active Copper Cables (ACC)
JYS1702O	PCIe 6.0 optical communication linear signal equalization chips + EO/OE engines, designed for server optical communications and consumer USB/DisplayPort optical cables.

Financial Performance

I. Sales of Major Products

Unit : NT\$ thousand ; %

Major Product	2024		2025		2026Q1	
	Amount	%	Amount	%	Amount	%
USB/DP Linear Re-driver IC	10,610	6.99	10,899	5.59	6,960	24.46
PCIe/CXL Linear Re-driver IC	141,117	93.01	183,999	94.41	21,493	75.54
Total	151,727	100.00	194,898	100.00	28,453	100.00

II. Statement of Comprehensive Income

Unit : NT\$ thousand

	2024		2025		2026Q1	
Item	Amount	%	Amount	%	Amount	%
Operating revenue	151,727	100	194,898	100	28,453	100
Operating costs	52,292	34	82,875	43	12,647	44
Gross Profit	99,435	66	112,023	57	15,806	56
Operating Expenses	87,584	58	96,057	49	26,294	93
Operating Income	11,851	8	15,966	8	(10,488)	(37)
Non-Operating Income and Expenses	11,007	7	(5,273)	(3)	1,907	7
Profit Before Income Tax	22,858	15	10,693	5	(8,581)	(30)
Earnings per Share(NT\$)	0.76		0.35		(0.27)	

III. Balance Sheets

Unit : NT\$ thousand

	Dec.31, 2024		Dec.31, 2025		Mar.31, 2026	
Item	Amount	%	Amount	%	Amount	%
Cash and Cash equivalents	123,170	40	138,321	37	70,748	24
Accounts receivable	18,447	6	34,064	9	20,533	8
Inventories	29,032	10	73,983	19	76,633	26
Property, plant and equipment	124,864	41	124,560	33	122,718	42
Total Assets	300,209	100	377,580	100	294,913	100
Short-term borrowings	50,000	17	50,000	13	0	-
Other current liabilities	32,521	11	39,409	11	15,212	5
Total Liabilities	82,521	28	89,409	24	15,212	5
Total Equity	217,688	72	288,171	76	279,701	95

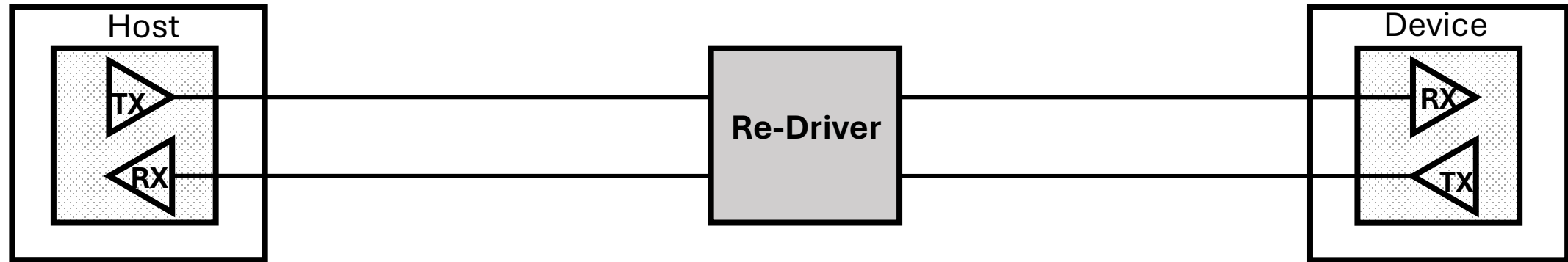
Operational Overview

I. Product Portfolio

Comprehensive Signal Integrity Solutions Across 4 Major International Standards:

- 1.PCIe** : Targeting server & high-speed storage cores.
- 2.USB** : Consumer & commercial high-speed peripheral connectivity.
- 3.DisplayPort**: High-end display transmission & AV signal processing.
- 4.Ethernet** : High-speed interfaces for network communications.

Re-Driver application



CPU
GPU

Display
Memory
SSD/GPU



	PCIe	USB	Display Port	Ethernet
PC	●	●	●	
Server	●		●	●
Cable (ACC,AOC)	●	●	●	●

II. Growth Engine

➤ **Server Signal Attenuation Solutions**

- Surging computing power causes severe signal attenuation on PCBs.
- High-speed Re-driver chips have become standard hardware specifications.

➤ **PCIe Gen6 Redriver Opportunities**

- Entering volume production and customer shipment phases.
- Expected to drive significant sales growth.

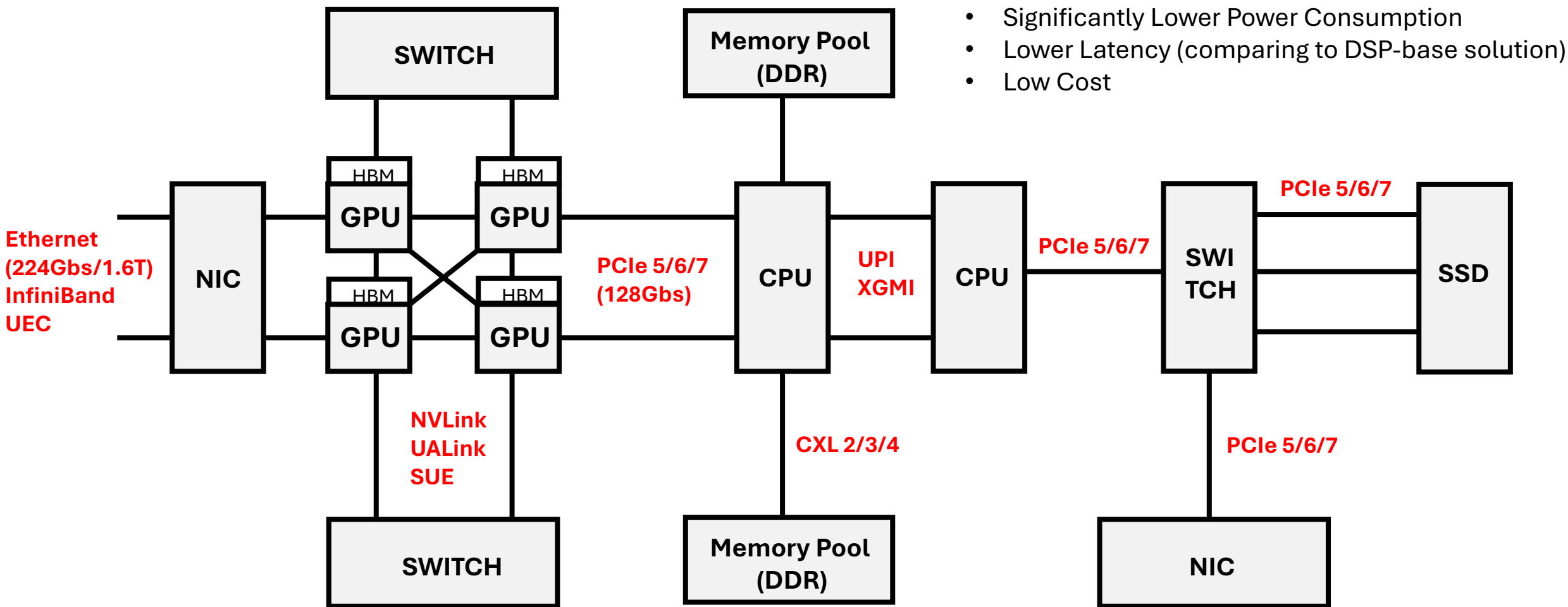
➤ **Optical Communication Expansion**

- High-speed analog circuit technology successfully integrated into optical modules.
- Expanding revenue contributions from non-PC segments.

Future Outlook

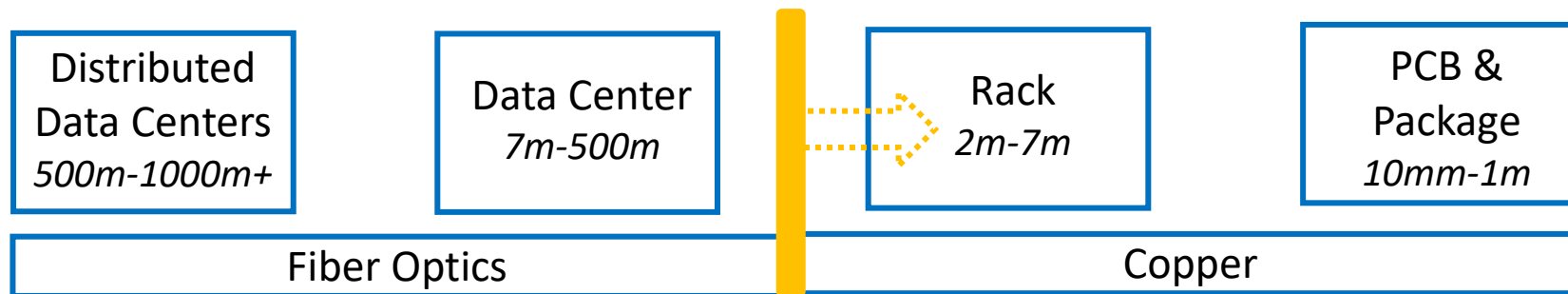
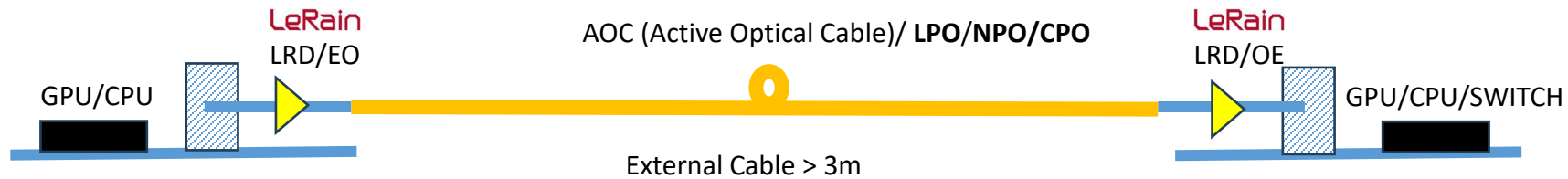
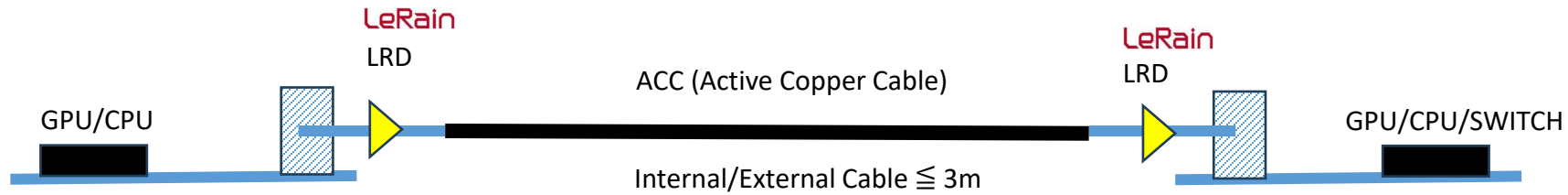
LeRain Products:

Linear Re-Driver (LRD) and Optical Engine for Scale-Up and Scale-Out Interconnect



LeRain Products:

Linear Re-Driver (LRD) and Optical Engine for Scale-Up and Scale-Out Interconnect



Future Outlook

➤ Production Ramp-up

- PCIe Gen6 solutions successfully validated by major end customers.
- Shipments expected to gain momentum quarter over quarter.

➤ Continuous R&D

- Next-gen pipelines (PCIe Gen7, next-gen USB) progressing on schedule.
- Sustaining market-leading position through advanced engineering.

Thank You